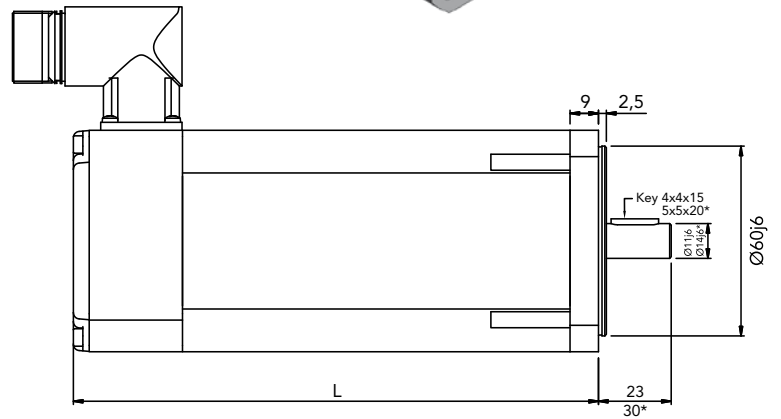
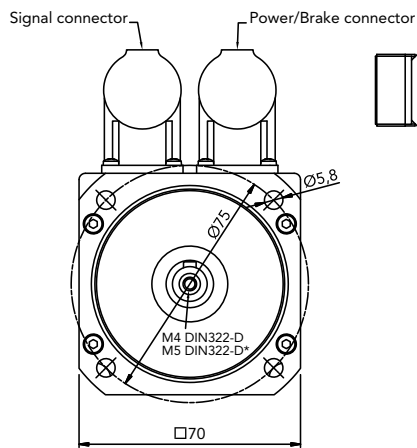
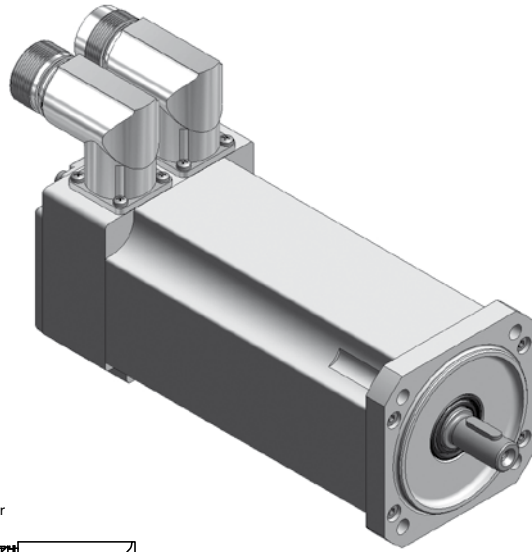


TYPE B36Q - 8 POLES

FOR MAINS VOLTAGE
400 V



* Only for type B36.F4Q, B36.O3Q

MECHANICAL DATA

Type	Torque Nm	Length with RESOLVER (L)		Maximum Length with ENCODER (L)		Weight Kg	
		Without brake	With brake	Without brake	With brake	Without brake	With brake
B36.D6Q	0.6	112	147	123	158	2.0	2.6
B36.E2Q	1.2	127	162	138	173	2.2	2.8
B36.E8Q	1.8	142	177	153	188	2.6	3.2
B36.F4Q	2.4	167	198	180	211	3.6	4.2
B36.O3Q	3.0	182	213	195	226	3.8	4.4

BRAKE DATA

Brake data	Symbol	Data	Unit
Holding torque 20°C	Mbr	3.2	Nm
Voltage	Ubr	24	Vdc +/- 10%
Resistance	Rbr	53.2	Ohm
Electrical Power	Pbr	10.8	W
Current	Ibr	0.45	Adc
Additional* Rotor Inertia	Jbr	0.38	kgcm ²
Opening (release) time	to max	30	ms
Closing (fall in) time	tc max	19	ms
Additional* Motor weight	mbr	0.6	kg

* Additional values are related to the motor data when the brake is mounted to the motor of the respective size, these values differ from the brake data in unmounted condition!

TYPE B36Q - 8 POLES

FOR MAINS VOLTAGE 400 V

Type	Stall torque ($\Delta t=105^{\circ}\text{C}$)	Rated speed	Rated power	Rated torque ($\Delta t=105^{\circ}\text{C}$)	Peak torque	Maximum speed	Moment of inertia	Peak torque acceleration	Thermal time constant	Thermal protection threshold	Voltage constant	Torque constant	Resistance phase to phase (20°C)	Inductance phase to phase	B.E.M.F. at rated speed	Stall current	Rated current
	M_o	n	P_n	M_n	M_{pk}	n_{max}	J	a_{pk}	T_{th}	ϑ_{max}	k_e	k_t	R_w	L_w	E_n	I_o	I_n
	Nm	1/min	kW	Nm	Nm	rpm	10^{-4} Kg m^2	rad/sec ²	min	$^{\circ}\text{C}$	Vs	Nm/A	Ω	mH	Vrms	Arms	Arms
3000 min⁻¹ - Self cooled																	
B36.D6Q	0.6	3000	172.8	0.55	2.1	9000	0.25	84000	30	140	0.84	1.45	105.0	144.0	264	0.4	0.4
B36.E2Q	1.2	3000	345.6	1.10	4.2	9000	0.44	95455	32	140	0.84	1.45	36.2	69.6	264	0.8	0.8
B36.E8Q	1.8	3000	518.4	1.65	6.3	9000	0.63	100000	34	140	0.84	1.45	21.0	46.4	264	1.2	1.1
B36.F4Q	2.4	3000	691.2	2.20	8.5	9000	1.05	103659	36	140	0.84	1.45	15.0	36.0	264	1.7	1.5
B36.O3Q	3.0	3000	848	2.70	10.5	9000	1.22	102941	38	140	0.84	1.45	11.1	28.0	264	2.1	1.9
6000 min⁻¹ - Self cooled																	
B36.D6Q	0.6	6000	314.2	0.5	2.1	9000	0.25	84000	30	140	0.42	0.73	26.3	36.1	264	0.8	0.7
B36.E2Q	1.2	6000	628.0	1.0	4.2	9000	0.44	95455	32	140	0.42	0.73	9.04	17.4	264	1.6	1.4
B36.E8Q	1.8	6000	942.5	1.5	6.3	9000	0.63	100000	34	140	0.42	0.73	5.25	11.6	264	2.5	2.1
B36.F4Q	2.4	6000	1225	2.0	8.5	9000	1.05	103659	36	140	0.42	0.73	3.75	9.0	264	3.3	2.7
B36.O3Q	3.0	6000	1508	2.4	10.5	9000	1.22	102941	38	140	0.42	0.73	2.77	7.0	264	4.1	3.3