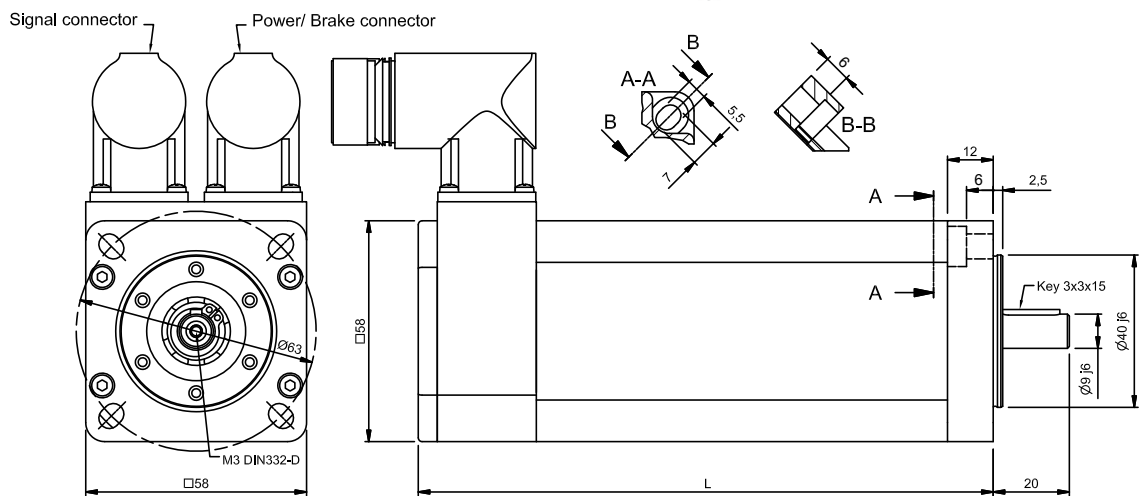
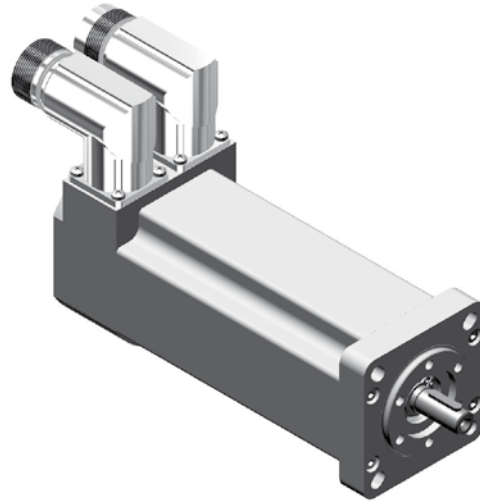


## TYPE B28Q - 8 POLES

FOR MAINS VOLTAGE  
400 V



### MECHANICAL DATA

Type	Torque Nm	Length with RESOLVER (L)		Maximum Length with ENCODER (L)		Weight Kg	
		Without brake	With brake	Without brake	With brake	Without brake	With brake
B28.D2Q	0.25	86.5	116.5	106.5	136.5	1.0	1.5
B28.D5Q	0.50	98.5	128.5	118.5	148.5	1.2	1.7
B28.D7Q	0.75	110.5	140.5	130.5	160.5	1.5	2.0
B28.01Q	1.00	122.5	152.5	142.5	172.5	1.7	2.2
B28.E2Q	1.25	134.5	164.5	154.5	184.5	2.0	2.5

### BRAKE DATA

Brake data	Symbol	Data	Unit
Holding torque 20°C	Mbr	2	Nm
Voltage	Ubr	24	Vdc +/- 10%
Resistance	Rbr	70.6	Ohm
Electrical Power	Pbr	8.2	W
Current	Ibr	0.34	Adc
Additional* Rotor Inertia	Jbr	0.12	kgcm <sup>2</sup>
Opening (release) time	t <sub>o max</sub>	30	ms
Closing (fall in) time	t <sub>c max</sub>	15	ms
Additional* Motor weight	mbr	0.5	kg

\* Additional values are related to the motor data when the brake is mounted on the motor of the respective size, these values differ from the brake data in unmounted condition!

Base IP protection is IP54 on the A-side flange and IP65 on the motor body. Fully IP65 design available on request with additional motor length increasing.

FOR MAINS VOLTAGE  
400 V

Type	Stall torque ( $\Delta t=105^{\circ}\text{C}$ ) $M_o$ Nm	Rated speed $n$ 1/min	Rated power $P_n$ kW	Rated torque ( $\Delta t=105^{\circ}\text{C}$ ) $M_n$ Nm	Peak torque $M_{pk}$ Nm	Maximum speed $n_{max}$ rpm	Moment of inertia $J$ $10^{-4}$ Kg $m^2$	Peak torque acceleration $a_{pk}$ rad/sec $^2$	Thermal time constant $T_{th}$ min	Thermal protection threshold $\vartheta_{max}$ $^{\circ}\text{C}$	Voltage constant $k_e$ Vs	Torque constant $k_t$ Nm/A	Resistance phase to phase ( $20^{\circ}\text{C}$ ) $R_w$ $\Omega$	Inductance phase to phase $L_w$ mH	B.E.M.F. at rated speed $E_n$ Vrms	Stall current $I_o$ Arms	Rated current $I_n$ Arms
<b>3000 min<math>^{-1}</math> - Self cooled</b>																	
B28.D5Q	0.50	3000	153.9	0.49	2.0	9000	0.13	153846	34	140	0.84	1.45	171.7	225.7	264	0.34	0.34
B28.D7Q	0.75	3000	229.3	0.73	3.0	9000	0.19	157895	36	140	0.84	1.45	80.6	132.2	264	0.52	0.50
B28.01Q	1.00	3000	304.7	0.97	4.0	9000	0.25	160000	38	140	0.84	1.45	63.9	112.8	264	0.69	0.67
B28.E2Q	1.25	3000	380.1	1.21	5.0	9000	0.31	161290	40	140	0.84	1.45	47.9	88.2	264	0.86	0.83
<b>6000 min<math>^{-1}</math> - Self cooled</b>																	
B28.D2Q	0.25	6000	151	0.24	1.0	9000	0.07	142857	31	140	0.42	0.73	127.6	128.8	264	0.34	0.33
B28.D5Q	0.50	6000	295	0.47	2.0	9000	0.13	153846	34	140	0.42	0.73	38.9	55.9	264	0.69	0.65
B28.D7Q	0.75	6000	440	0.70	3.0	9000	0.19	157895	36	140	0.42	0.73	25.0	38.8	264	1.03	0.96
B28.01Q	1.00	6000	584	0.93	4.0	9000	0.25	160000	38	140	0.42	0.73	15.9	26.7	264	1.37	1.28
B28.E2Q	1.25	6000	729	1.16	5.0	9000	0.31	161290	40	140	0.42	0.73	13.5	23.6	264	1.72	1.59